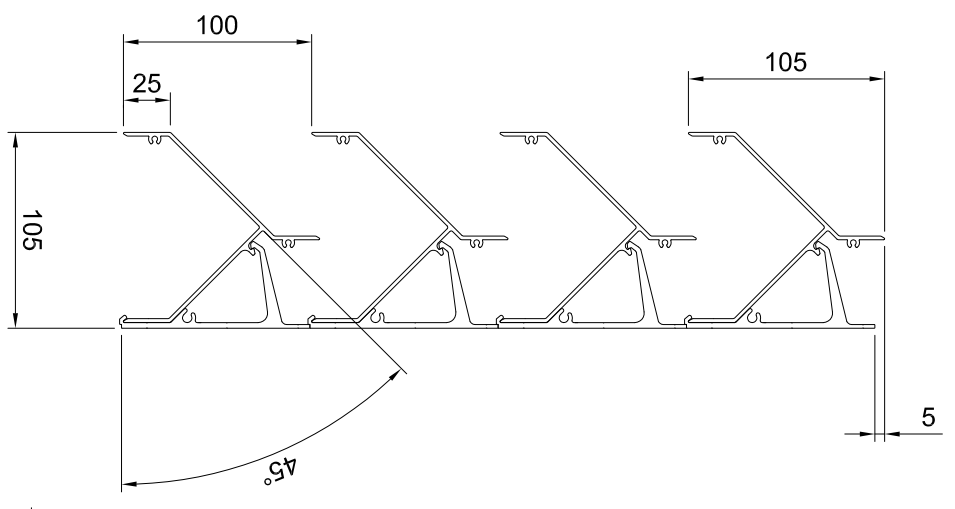
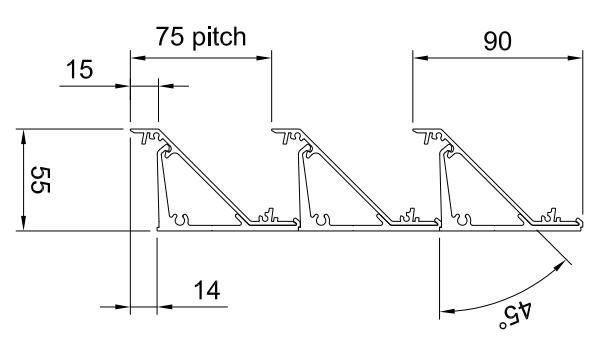


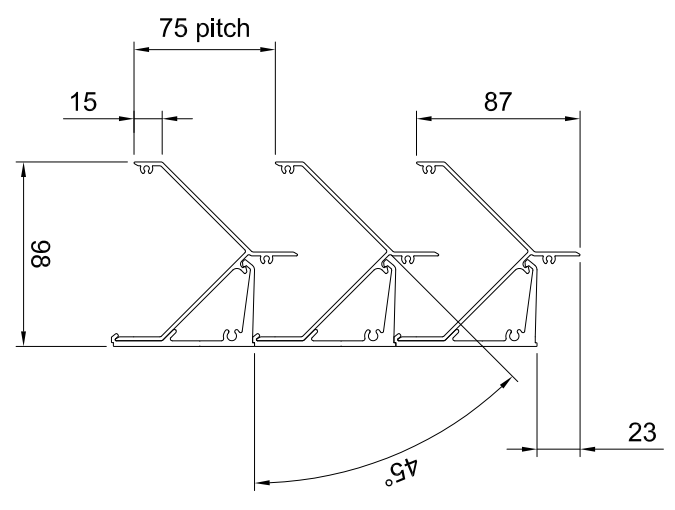
System AQ-100



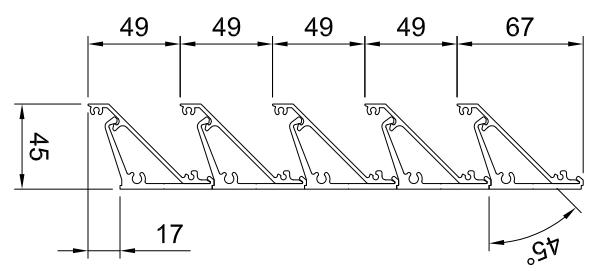
System AQ-100-2



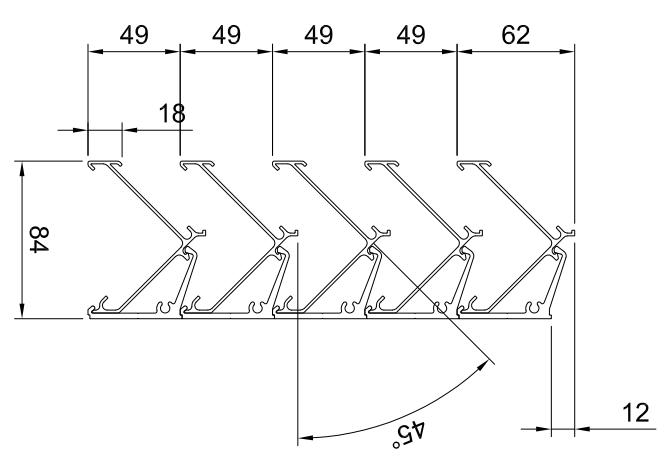
System AQ-75



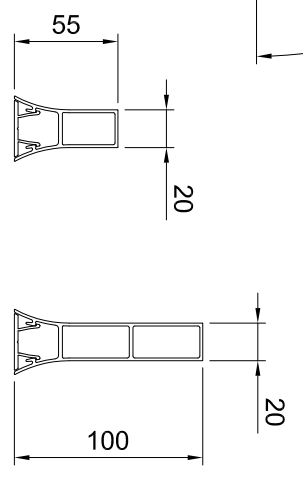
System AQ-75-2-HP



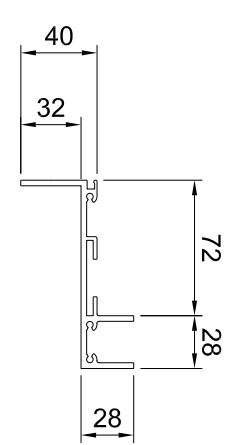
System AQ50



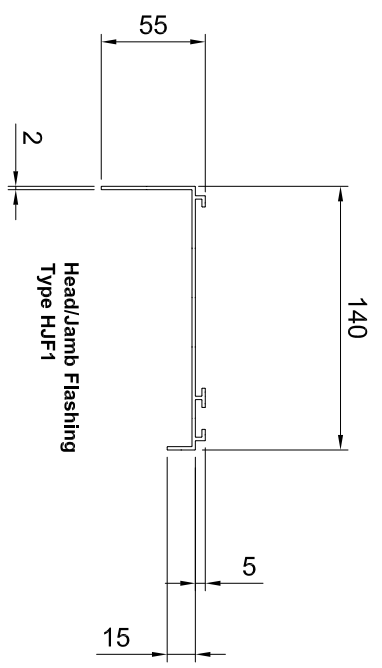
System AQ50-2-HP



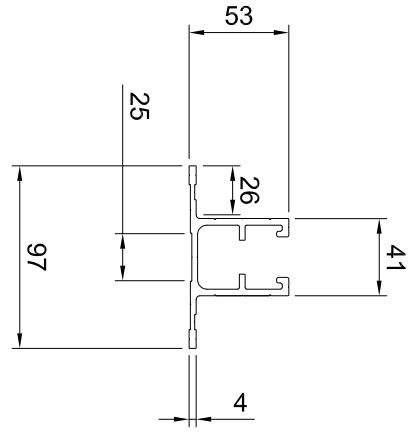
Vertafil-AQ System 55 & 100



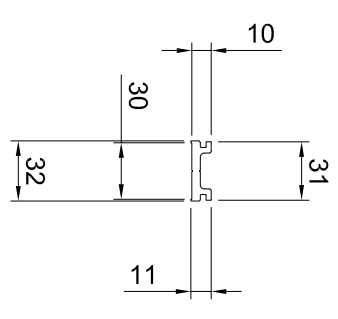
Glazing Frame Surround
Type GF1-28



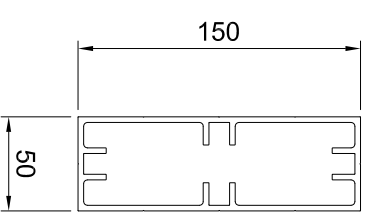
Head/Jamb Flashing
Type HJF1



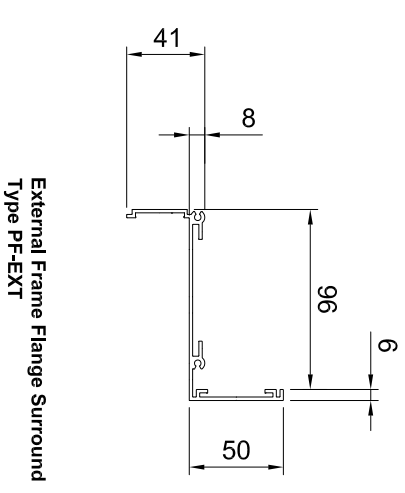
Mullion Type VM-01



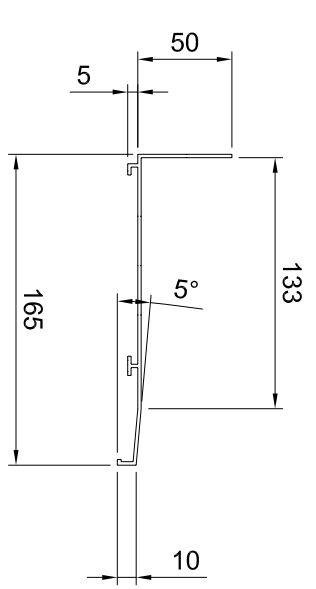
Mullion Type VM-02



Mullion Type VM-03



External Frame Flange Surround
Type PF-EXT



Cill Flashing
Type CF1

Solinear Limited Unit 9 Brunel Park Ind Est Harworth Doncaster DN11 8NE T. 01302 759700 F. 01302 759711 e. mail@solinear.co.uk website: www.solinear.co.uk		Drawn By TD	Date 16/11/2009	Approved By DA	Date 16/11/2009	Material 6063:T6 AL	Finish
Client		Title Aquarius XLINE-100 Louvre System Details		Product		Revision	Drawing No AQ100-W-01