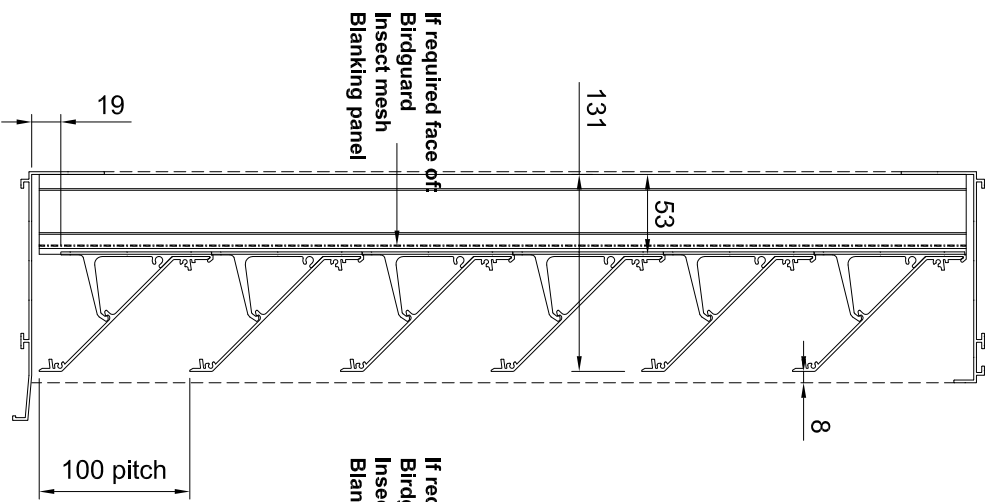
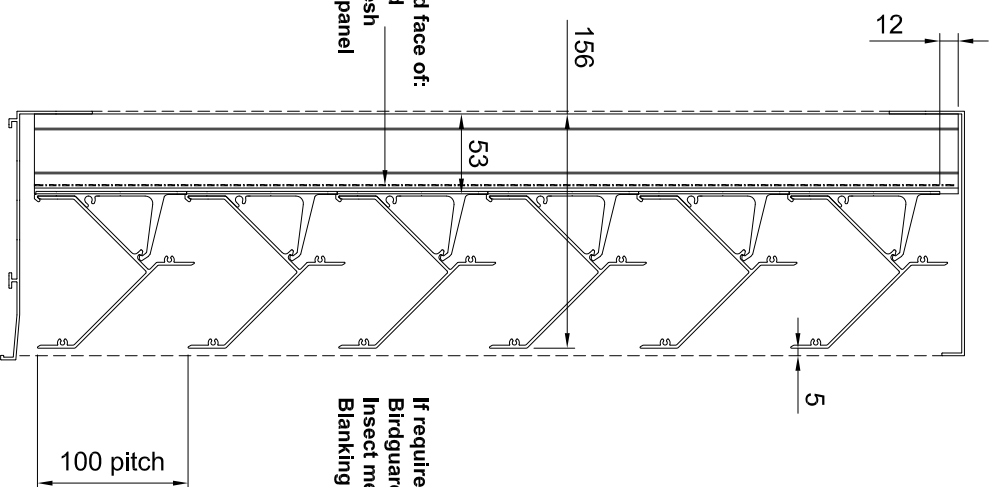


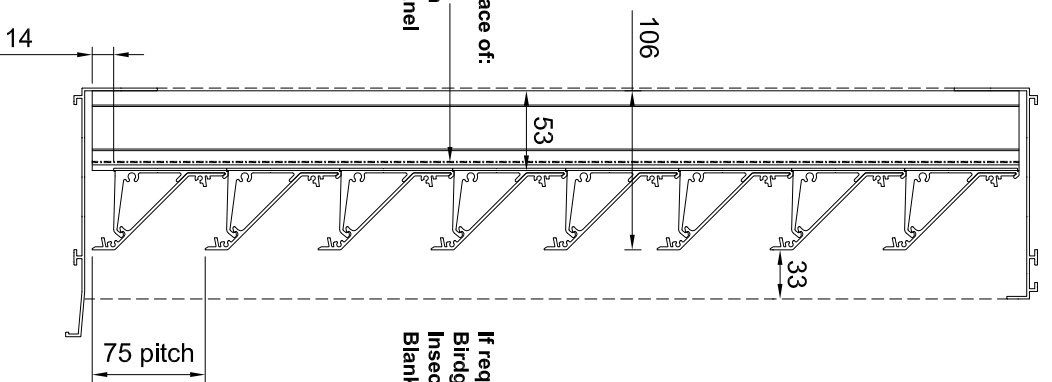
System AQ100



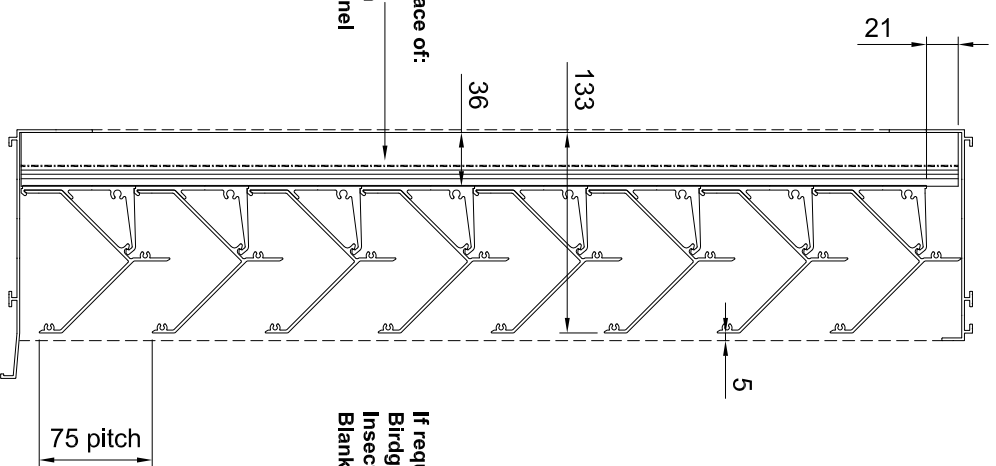
System AQ100-2



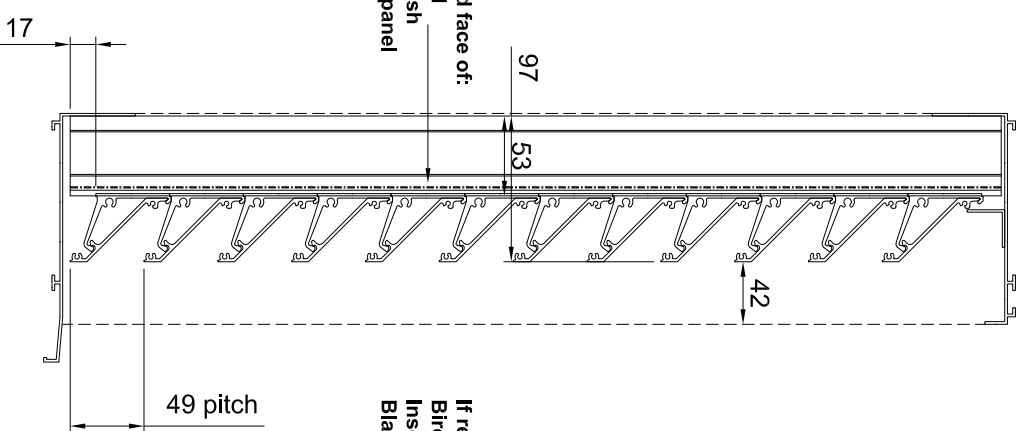
System AQ75



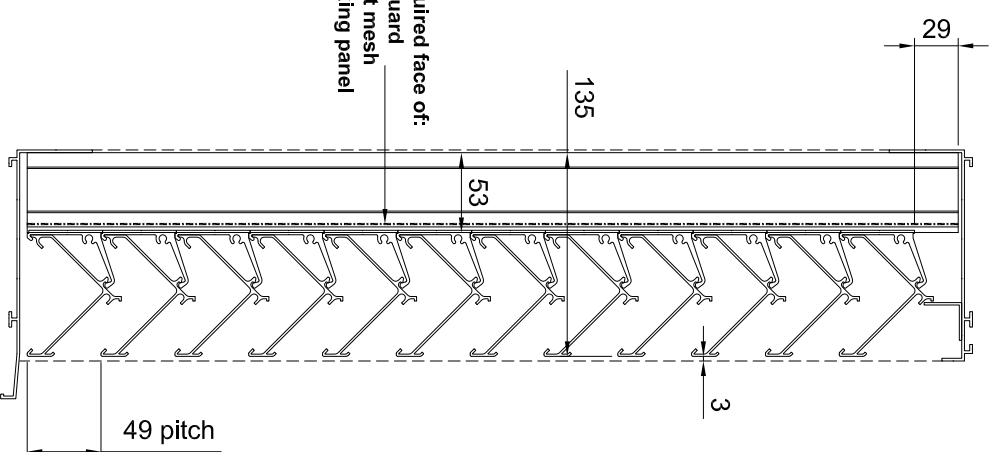
System AQ75-2-HP



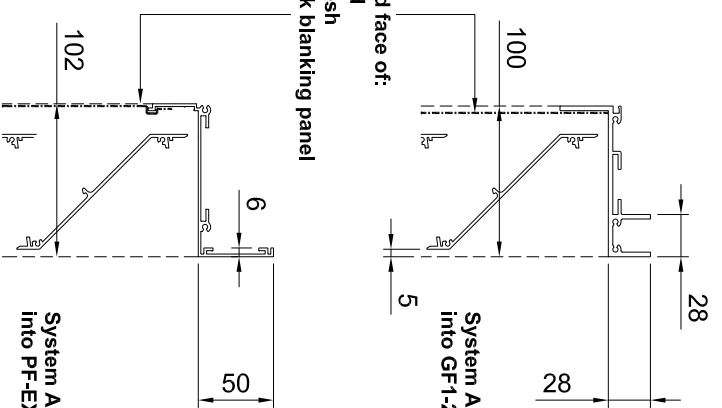
System AQ50



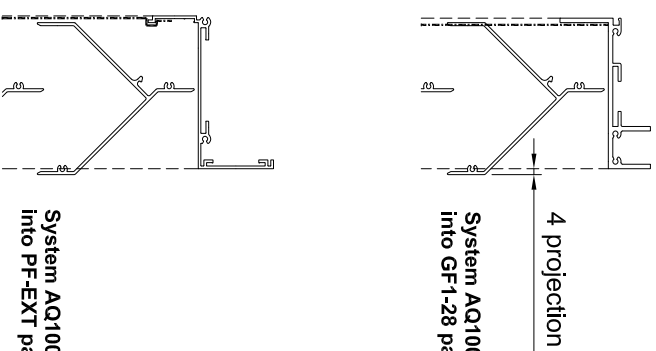
System AQ50-2-HP



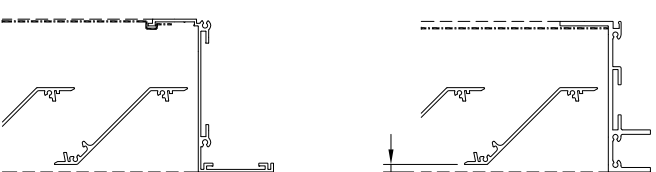
If required face of:
Birdguard
Insect mesh
0.7mm thk blanking panel



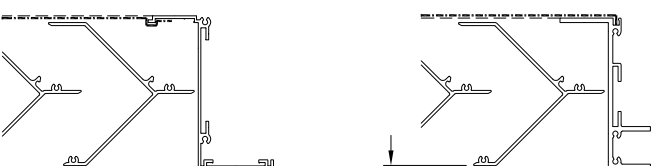
System AQ100
into GF1-28 panel frame



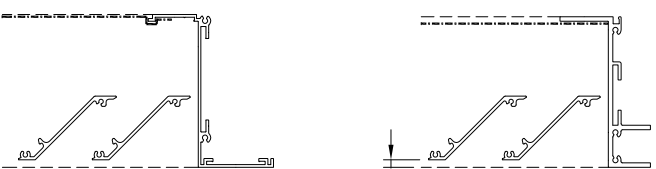
System AQ100-2
into GF1-28 panel frame



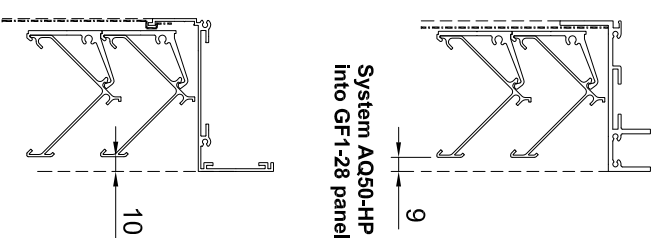
System AQ75
into GF1-28 panel frame



System AQ75-HP
into GF1-28 panel frame



System AQ50
into GF1-28 panel frame



System AQ50-HP
into GF1-28 panel frame

System AQ100
into PF-EXT panel frame

System AQ100-2
into PF-EXT panel frame

System AQ75
into PF-EXT panel frame

System AQ75-HP
into PF-EXT panel frame

System AQ50
into PF-EXT panel frame

System AQ50-HP
into PF-EXT panel frame

Solinear Limited Unit 9 Brunel Park Ind Est Harworth Doncaster DN11 8NE		Drawn By TD	Date 16/11/2009	Approved By DA	Date 16/11/2009	Material 6063:T6 AL	Finish
Client		Title Aquarius XLINE-100 Typical Vertical Louvre System Section Details					
T. 01302 759700 F. 01302 759711 e. mail@solinear.co.uk website: www.solinear.co.uk		Product	Revision		Drawing No AQ100-W-02		