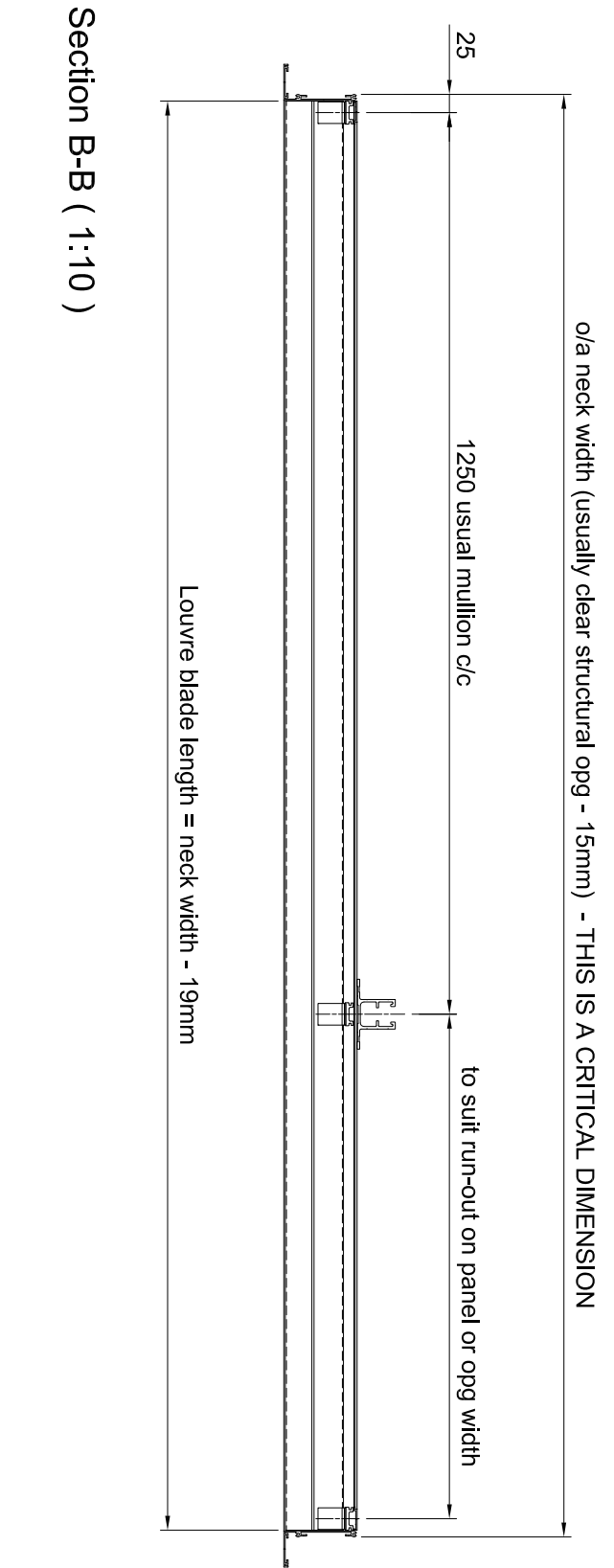
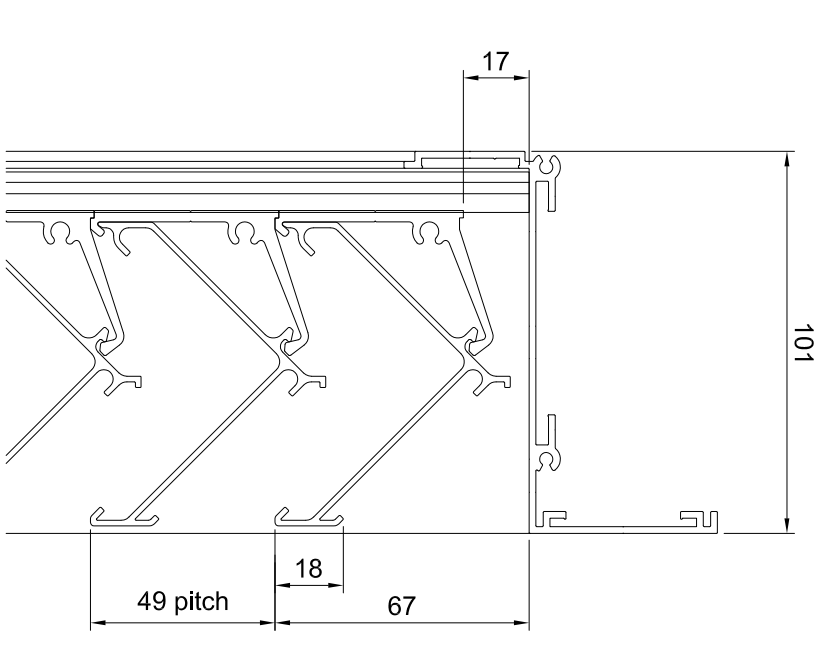
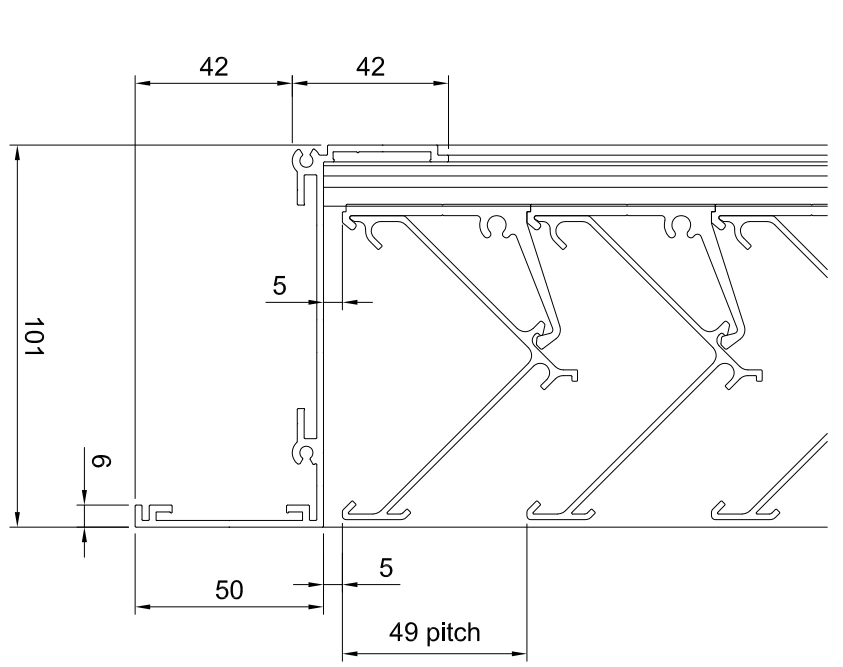
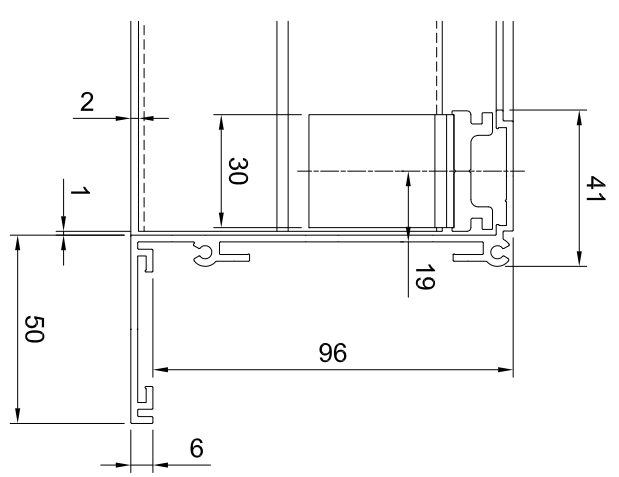


Section A-A (1:10)



Section B-B (1:10)



| | | | | | | | |
|--|--|----------------|--|-------------------|--------------------|------------------------|--------------------------|
| Solinear Limited Unit 9 Brunel Park Ind Est Harworth Doncaster DN11 8NE | | Drawn By TD | Date 16/11/2009 | Approved By DA | Date 16/11/2009 | Material 6063:T6 AL | Finish |
| T. 01302 759700 F. 01302 759711 e. mail@solinear.co.uk website. www.solinear.co.uk | | Client | Title Aquarius XLINE-AQ50-2-HP/PF-EXT Louvre Panel System | | | Product | Revision |
| | | | | | | | Drawing No AQ100-W-13 |