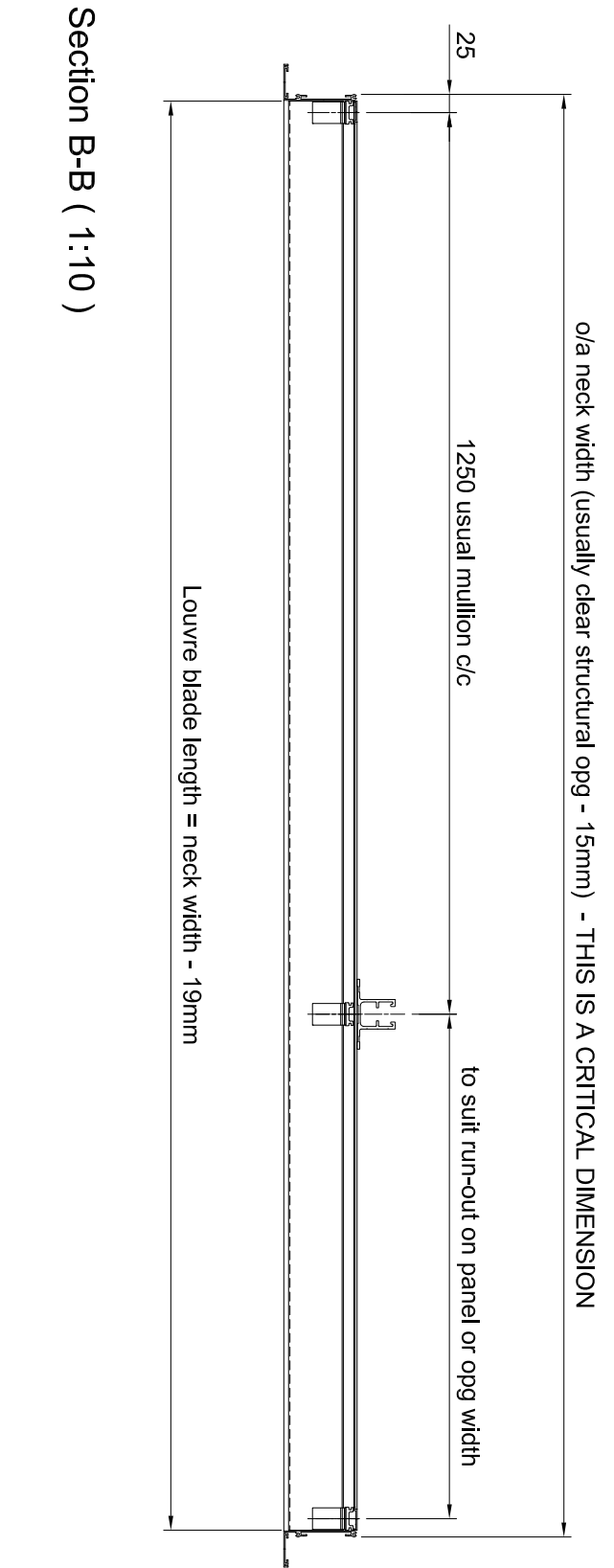
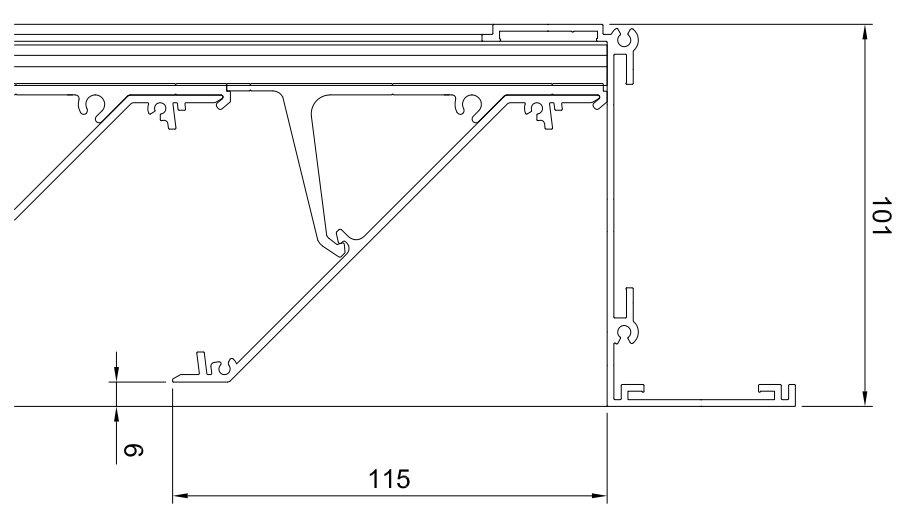
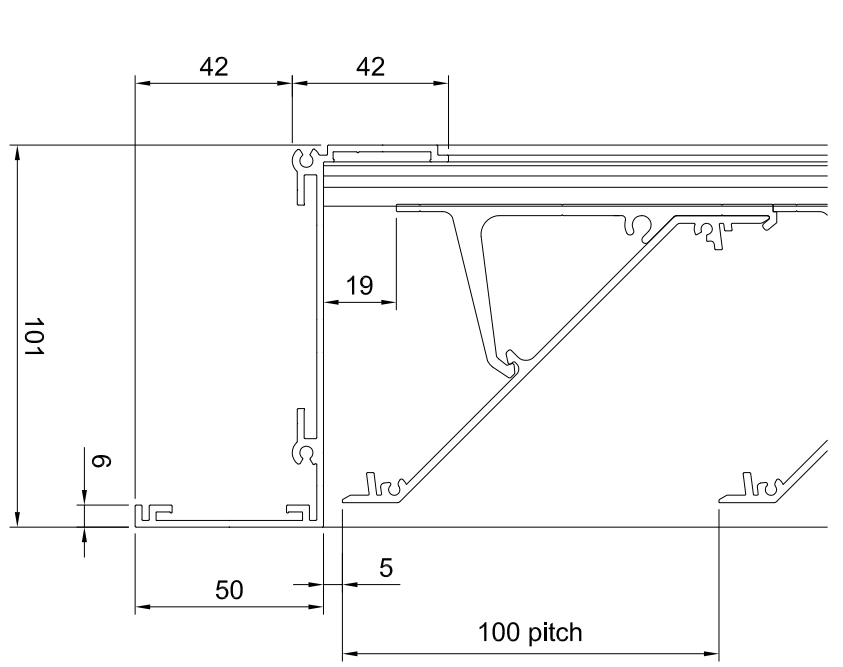
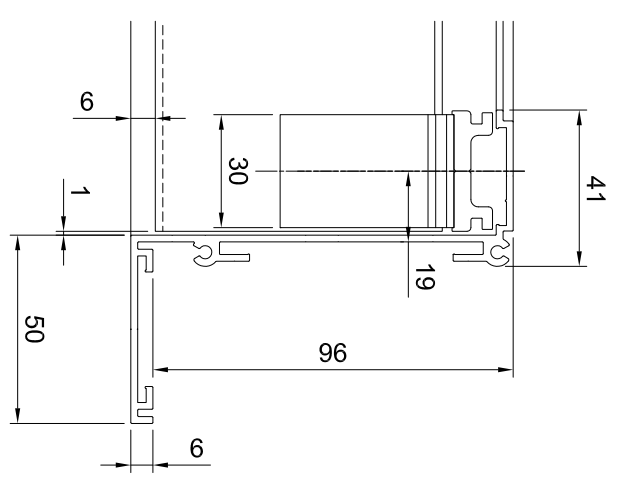


Section A-A (1:10)



Section B-B (1:10)



Solinear Limited Unit 9 Brunel Park Ind Est Harworth Doncaster DN11 8NE		Drawn By TD	Date 16/11/2009	Approved By DA	Date 16/11/2009	Material 6063:T6 AL	Finish	Product Aquarius XLINe-AQ100/PE-EXT Louvre Panel System	Revision	Drawing No AQ100-W-14
T. 01302 759700 F. 01302 759711 e. mail@solinear.co.uk website. www.solinear.co.uk		Client								