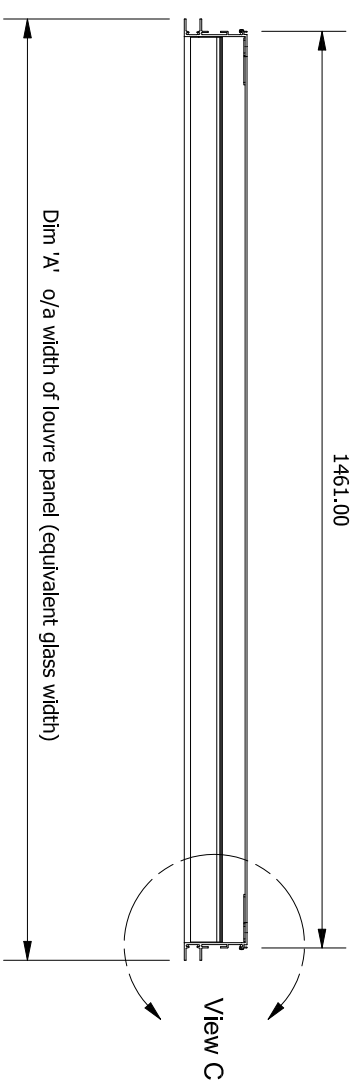
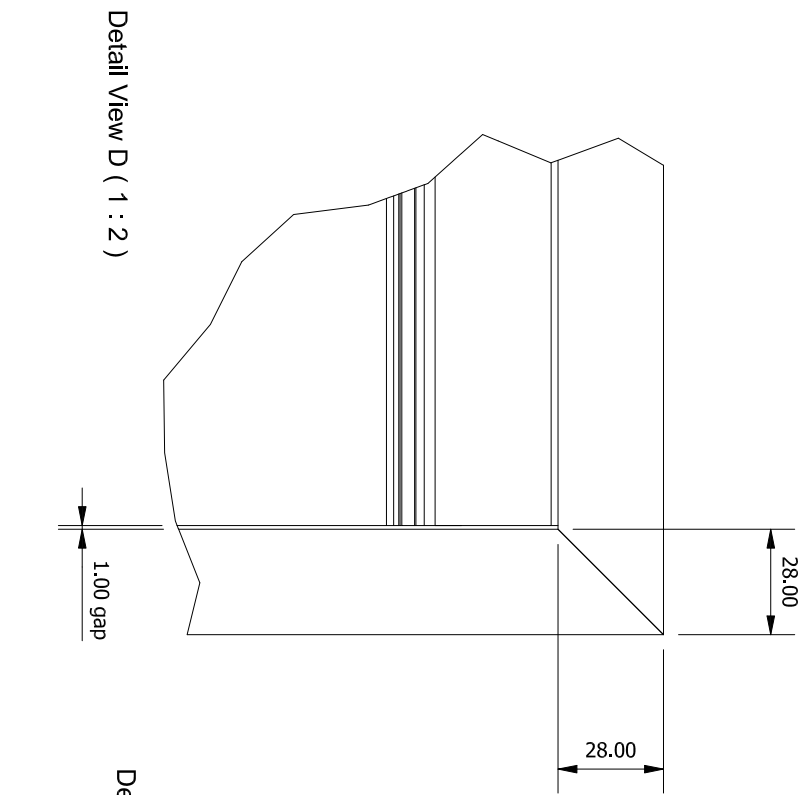


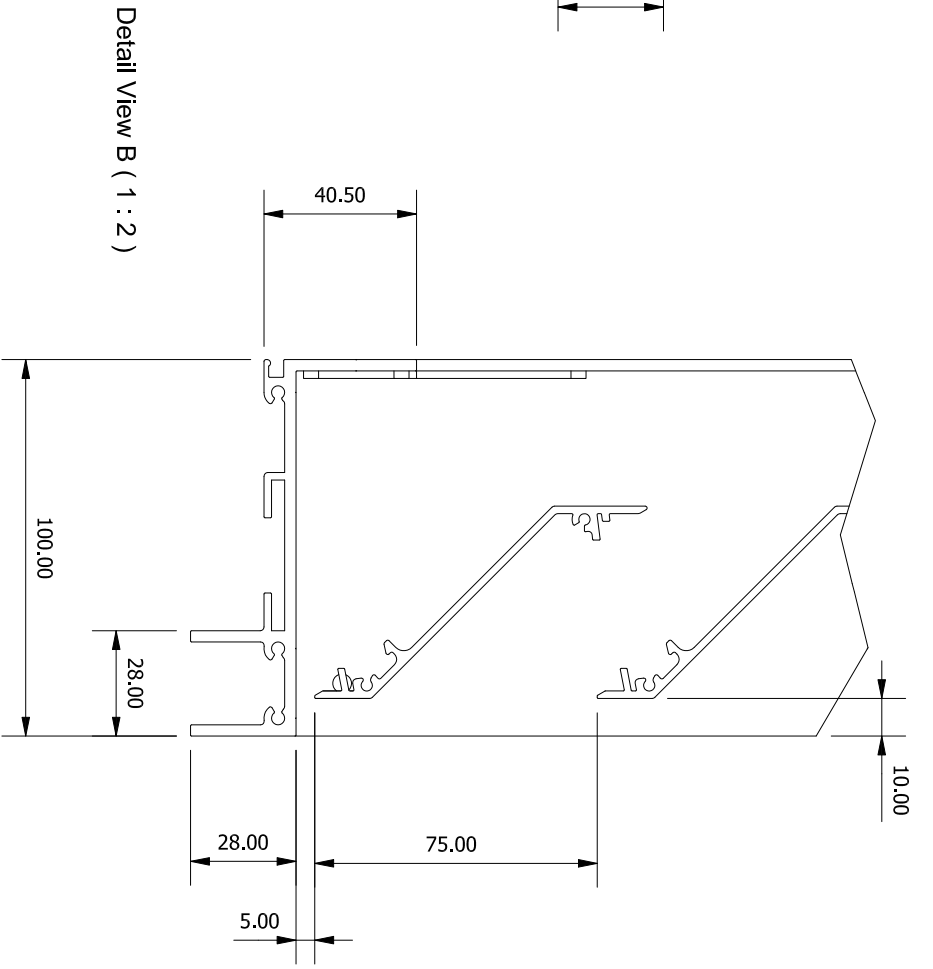
Section C-C (1 : 12)



Section D-D (1 : 12)

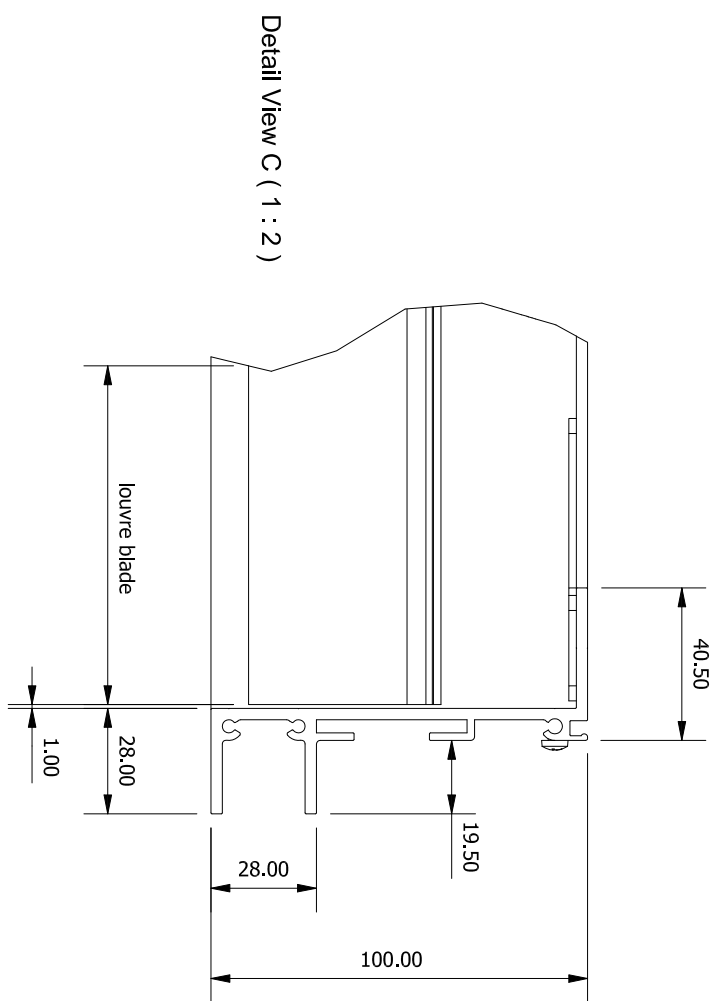
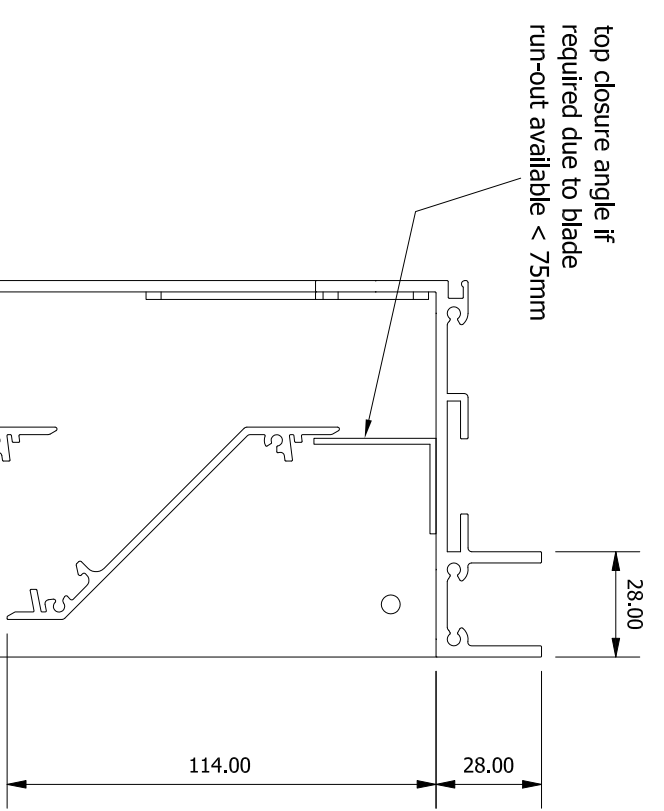


Detail View D (1 : 2)



Detail View B (1 : 2)

Detail View A (1 : 2)



Detail View C (1 : 2)

Solinear Limited Unit 9 Brunel Park Ind Est Harworth Doncaster DN11 8NE		Drawn By Tony	Date 29/11/2009	Approved By	Title Aquarius XLINE-AQ75-GF28 Louvre Frame Details
Client Solinear Manufacturing Doncaster		Material 6063:T6 AL	Finish TBC	Product AQ75 Louvre System	Revision Drawing No AQ100-W-18
T. 01302 759700 F. 01302 759711 e. mail@solinear.co.uk website: www.solinear.co.uk					