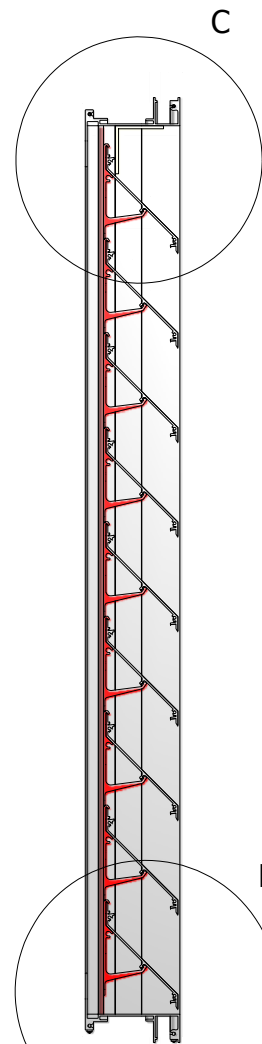
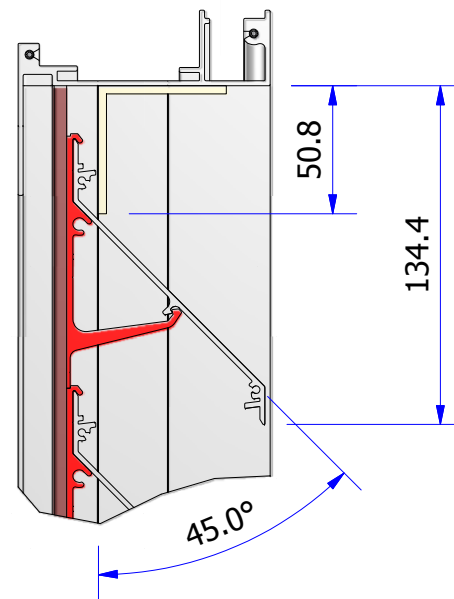


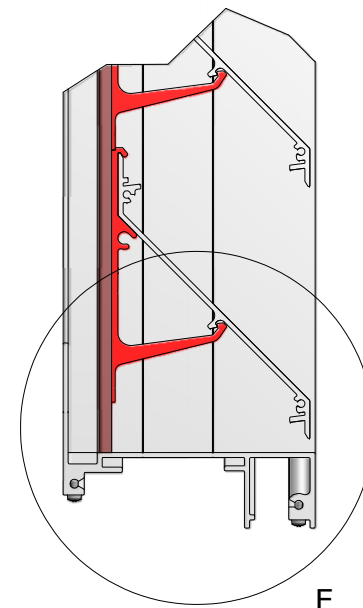
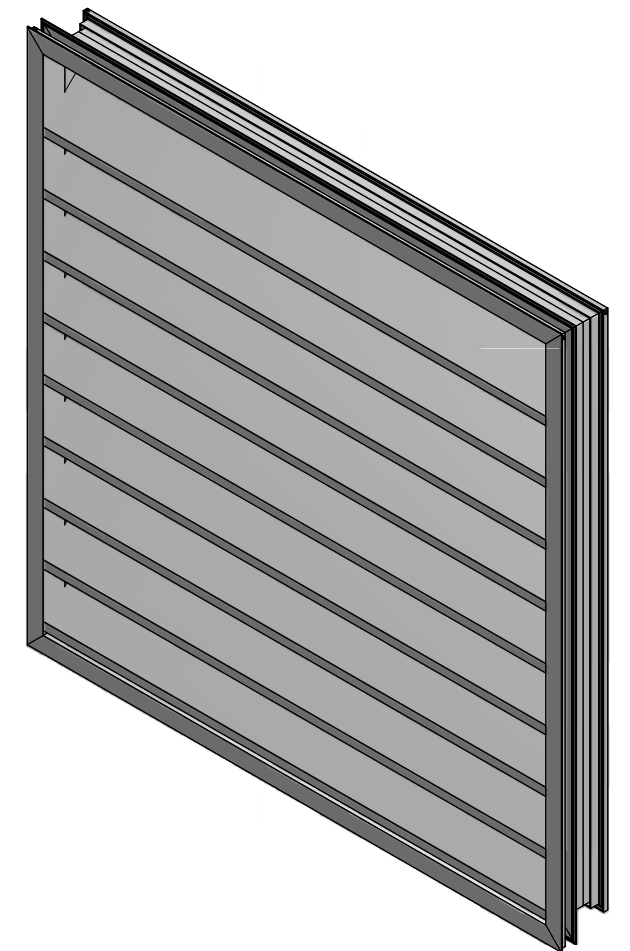
Front View on Louvre Panel ( 1 : 8 )



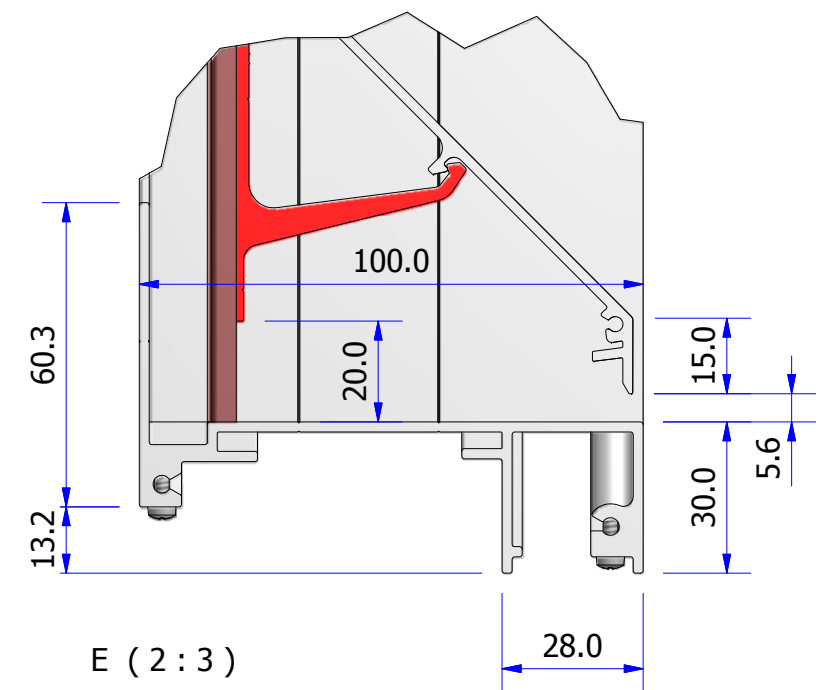
Section A-A ( 1 : 8 )



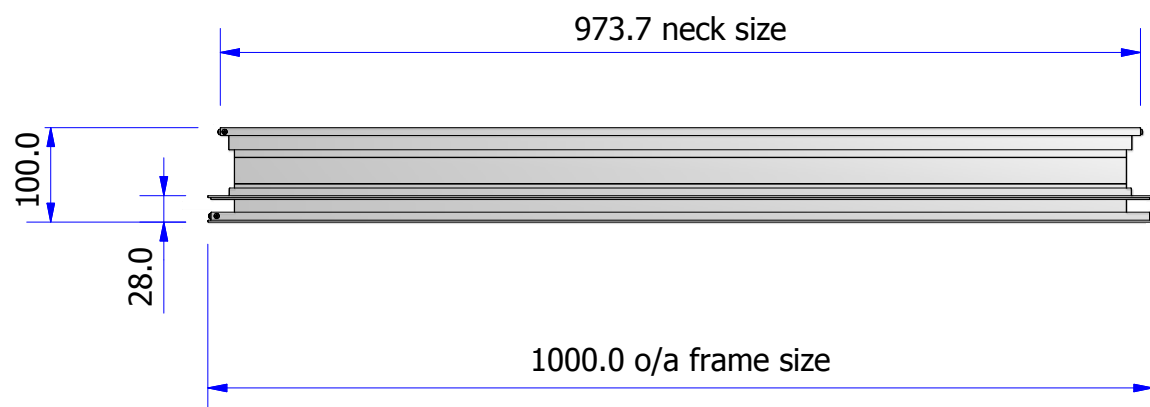
C ( 1 : 3 )



D ( 1 : 3 )



E ( 2 : 3 )



Top View on Louvre Panel ( 1 : 8 )

Client Details:  
Solinear Limited  
Unit 9 Brunel Park Industrial Estate  
Doncaster  
DN11 8NE

Drawing Title  
Aquarius XLINE-100 Louvre System  
Project Details:  
28mm Glazed Frame & Panel Details

Finish:	TBC	Drawn By:	TD
Colour:	TBC	Date:	280708
Contract No:	TBC	Drawing No:	M01
		Rev:	

**Solinear Limited**  
Unit 9 Brunel Park Industrial Estate  
Blyth Road  
Harworth  
DONCASTER  
DN11 8NE  
t. 01302 759700 f. 01302 759711 e. mail@solinear.co.uk  
www.solinear.co.uk